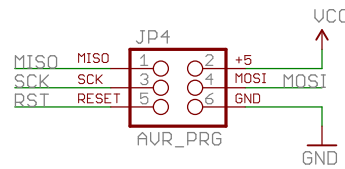
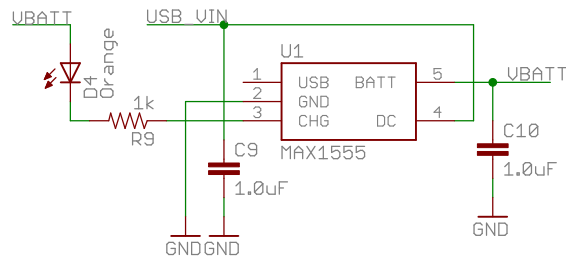
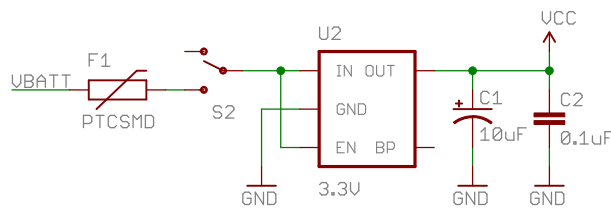
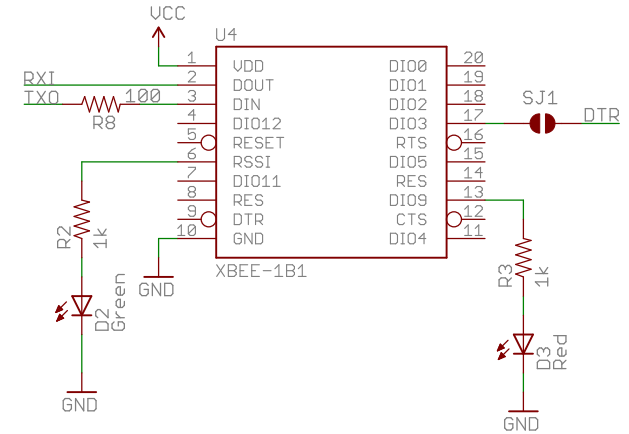
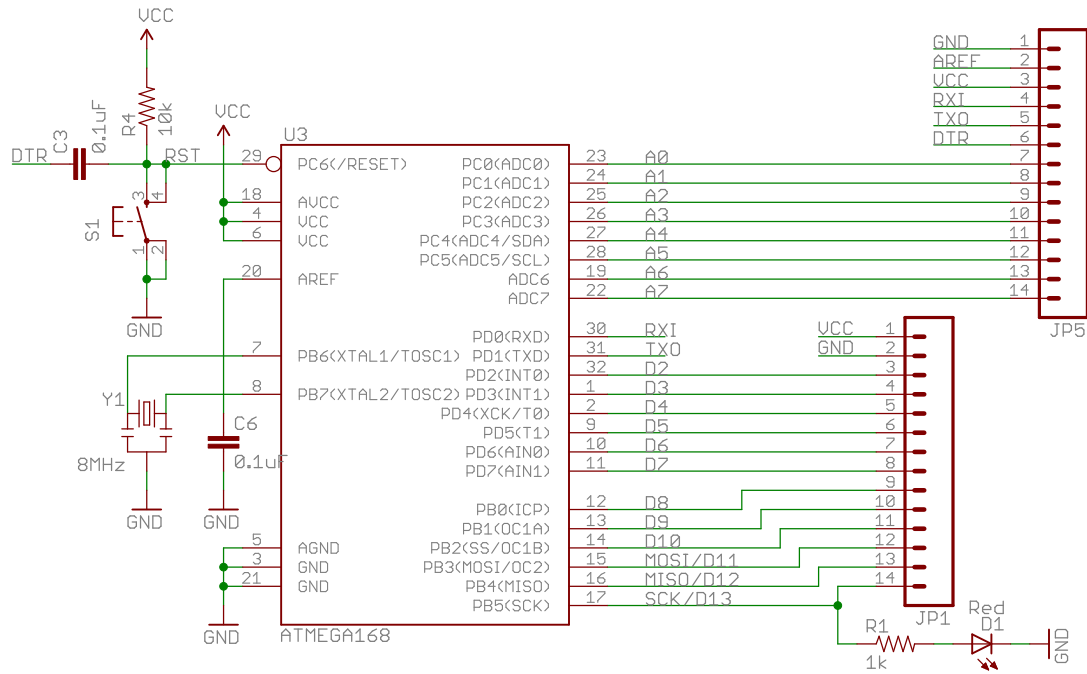


Original design (LylyPad Arduino v1.6) by: L. Buechley and N. Seidle
 Released under the Creative Commons Attribution Share-Alike 3.0 License
<http://creativecommons.org/licenses/by-sa/3.0>



FIO (Funnel I/O) module	
TITLE: FIO-v13b	SFE
Document Number: Shigeru Kobayashi	REV:
Date: 12/4/2008 11:48:01 PM	Sheet: 1/1