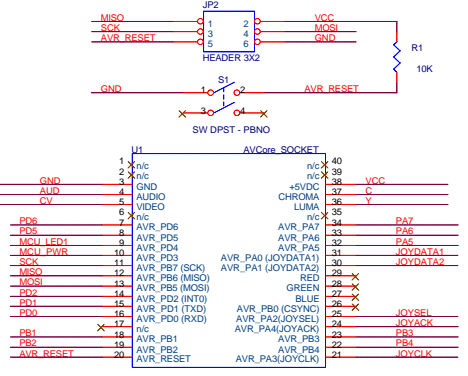
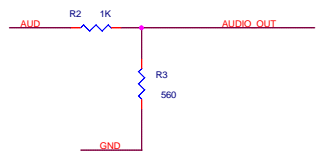


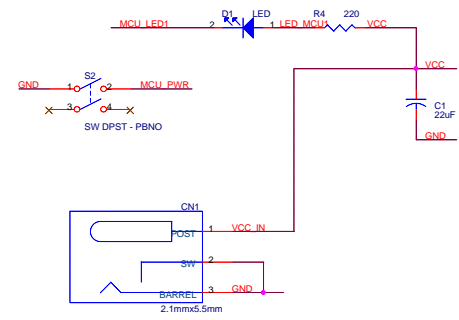
AVCore Socket and ISP



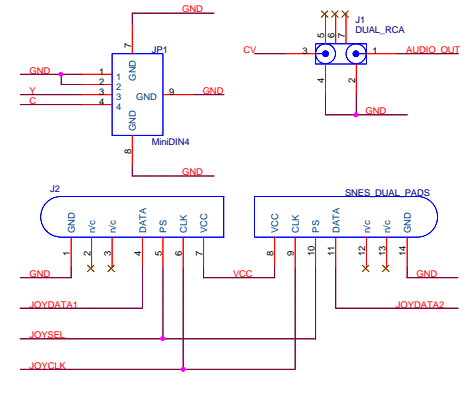
Audio Out



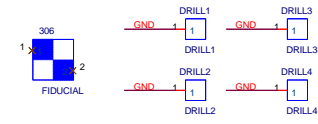
Power Input and Regulation



A/V Connectors and Controller Inputs



Mechanicals



- Rev. 1.1
- 1) R11 changed from VCC to GND
 - 2) Pin spacing changed on PCB for RCAs
 - 3) Added diode D2 in series for PSU instead of 5V regulator
- Rev. 1.2
- 1) Changed power plug to 2.1mm coax style for SparkFun
 - 2) Removed series diode
 - 3) Removed 3.3V regulator

Embedded Engineering, LLC
 3601 SE 175th Ave
 Vancouver, WA 98683
 clay@embeddedengineeringllc.com

EMBEDDED
 engineering

Title: UZEBOX Gamer Baseboard SparkFun Version (for AVCore)

Size A	Document Number CNC110108	Rev 1.2
--------	------------------------------	------------

Date: Saturday, November 01, 2008 Sheet 1 of 1